

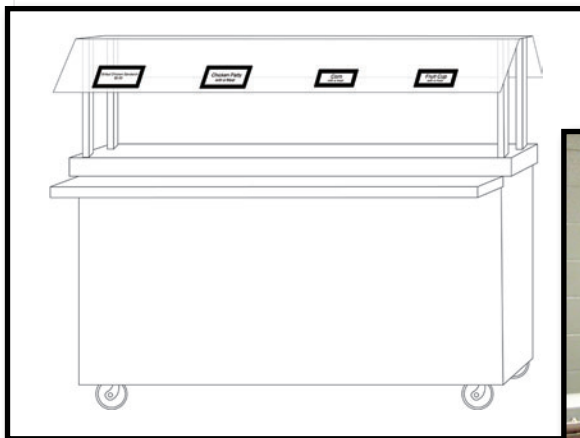
On-the-Line Marketing Solutions

Phone: 317-852-6300
Toll-Free: 877-337-2661
Fax: 317-852-6400
sales@desconinc.com
www.desconinc.com

EZ-Tags for Serving Lines

Great way to easily
identify items right
on your lines.

*Increase participation by 10% or
more through better communication!*



*Turn page over for
more examples on
serving lines!*

Removable & Reusable

Simply peel off protective paper and apply the self-adhesive magnetic tag to your smooth surface.

Easy to Use

Adheres to most smooth surfaces: Glass, Plastic, Stainless Steel, Laminate, Tile, etc.

Clean

No sticky residue left behind when removed.

Convenient

Lift-up magnetic non-glare lens allows you to print your own insert for a cost effective way to easily identify daily menu items.

Makes Cleaning Easy

Simply remove tag, clean, and reapply.

Two Sizes Available

(not actual size)

Insert Your Own
Printed Information

EZ-Tag 2.25" h x 5" w

Item #: EZ-Tags-S

Price: Bag of 10 - \$45.00

Insert Your Own
Printed Information

EZ-Tag 3" h x 6" w

Item #: EZ-Tags-L

Price: Bag of 10 - \$55.00



EZ-Tag Examples

Phone: 317-852-6300
 Toll-Free: 877-337-2661
 Fax: 317-852-6400
 sales@desconinc.com
 www.desconinc.com



Create as you go!
 YOU control the inserted information!

Free Excel Templates
 for EZ-Tag inserts
 available to download:
desconinc.com/EZT/EZ-Tag_Templates.html

Convenient

Easy Marketing

Get information eye level!
 Promote products based on YOUR needs!



Versatile

Use, and Reuse!
 A must-have item for YOUR cafe!

- ✓ **Low Cost**
- ✓ **Durable**
- ✓ **Free Template**
- ✓ **Minimal Labor**
- ✓ **Reusable**
- ✓ **Non-Glare**
- ✓ **Easy to Clean**
- ✓ **Professional**
- ✓ **No Sticky Residue**
- ✓ **Customizable**
- ✓ **Marketing Tool**
- ✓ **Multi-Purpose**

BILL TO:

 School/District Name

 Address

 City State Zip

 Contact

 E-mail

 Phone

ORDER FORM

Toll Free: 877-337-2661 108 E. College Ave.
 Fax: 317-852-6400 Brownsburg, IN 46112
 Email: sales@desconinc.com

SHIP TO:

 School/District Name

 Address

 City State Zip

CUSTOMER AUTHORIZATION

Please check your order carefully for errors and omissions. Your signature constitutes confirmation of the order. Your order will not be processed until we have received this document with your signed approval. Terms: Net 30 days

 Authorized Signature Date

PO Submitted. No Authorization Required. Please submit order form with PO.

PO #: _____

Have you ordered from Descon, Inc. before? Yes No FORM-EZT-060211

ITEM NUMBER	QTY	DESCRIPTION	UNIT PRICE	TOTAL
EZ-Tags-S		Small EZ-Tags, 2.25" h x 5" w, per bag of 10	\$45.00	
EZ-Tags-L		Large EZ-Tags, 3" h x 6" w, per bag of 10	\$55.00	

Please Note: To qualify for tax exemption, a signed copy of your tax exempt form must be included with your order form.

Subtotal	
Shipping / Handling (Approx. 10%)	
Order Total	

Thank you for choosing to order from Descon, Inc.



Check below for credit card payment.
 An authorization form will be faxed for approval.
 Mastercard Visa